

NELSON™ HEAT TRACING SYSTEMS

TH7325-2 THERMOSTAT

SPECIFICATION / APPLICATION
INSTALLATION

DESCRIPTION



These thermostats are used for controlling heat tracing systems in hazardous locations. The capillary bulb should be mounted on the side of the pipe.

ENCLOSURE

Cast Aluminum

CLASSIFICATIONS

NEMA Type 4, 7, 9 IP66

TEMPERATURE RANGE

Range
-4 to 163°C (25 to 325°F)

CAPILLARY

Length	Material	Max. Bulb Temperature
3m (10ft.)	Stainless Steel	215°C (420°F)

ELECTRICAL DATA

CSA Rating	UL Rating
22 amp resistance 208/240VAC	22 amp resistance 208/240VAC

RELAY COIL

208-240VAC, 4VA

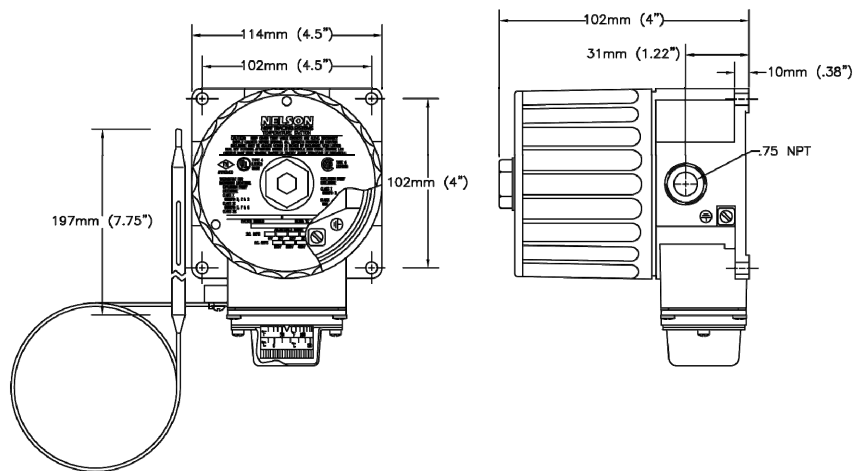
CALIBRATION ACCURACY

1.6°C (3°F)

SWITCH TYPE

Double Pole Single Throw

OUTLINE

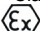


Annual Maintenance:

1. Remove cover.
2. Spray a coat of lubricant and rust preventative such as CRC Stor & Lube, electrical grade, on the thermostat body.
3. Replace cover.

Approvals:

Hazardous Locations

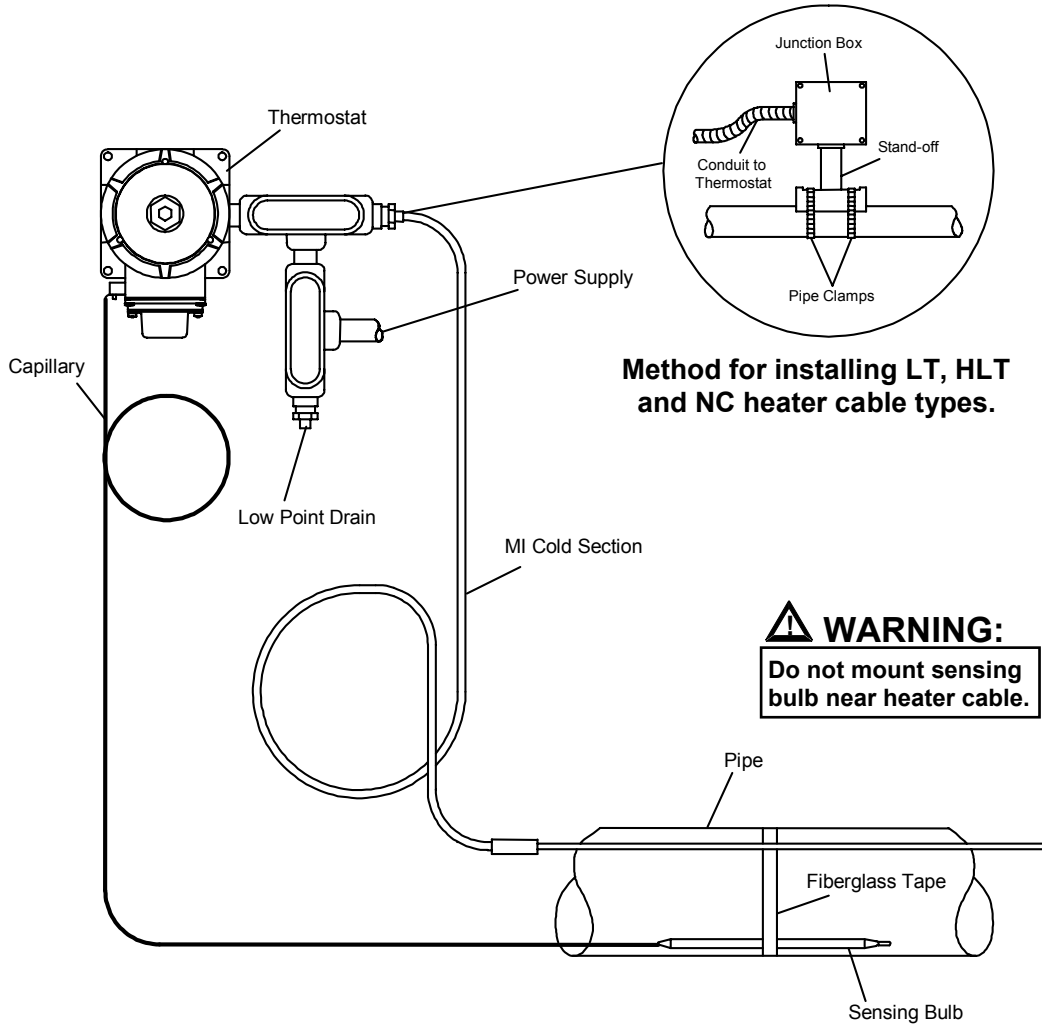
- | | | |
|------|---|---------------|
| UL | - Class I & II, Groups B, C, D, E, F, G | - E53121 |
| FM | - Class I & II, Groups B, C, D, E, F, G | - 1ZIA0.AE |
| | - Class I, Zone 1, AEx d IIB+H ₂ | |
| CSA | - Class I & II, Groups B, C, D, E, F, G | - LR701950 |
| | - CIII, Encl. Type 4 | |
| | - Class I, Zone 1, Ex d IIB+ H ₂ | |
| LCIE | -  II 2 G EEx d IIC T6 | - 2 ATEX 6026 |

NELSON™ HEAT TRACING SYSTEMS

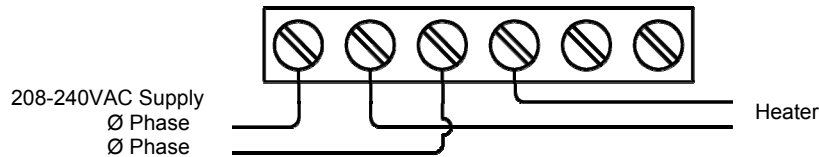
TH7325-2 THERMOSTAT

SPECIFICATION / APPLICATION
INSTALLATION

INSTALLATION



WIRING DIAGRAM



Nelson Heat Tracing Systems products are supplied with a limited warranty. Complete Terms and Conditions may be found on Nelson's website at www.nelsonheaters.com.