

**DESCRIPTION**



These thermostats are used for high temperature piping on freeze protection and process maintenance applications in hazardous locations.

**ENCLOSURE**

Cast Aluminum

**CLASSIFICATIONS**

NEMA Type 4, 7, 9 IP66

**TEMPERATURE RANGE**

0 to 538°C (32 to 1000°F)

**SENSING PROBE**

<b>Length</b>	<b>Material</b>	<b>Max. Bulb Temperature</b>
3m (10ft.)	Incoloy 825	593°C (1100°F)

**ELECTRICAL DATA**

Load Switching: 8 amp resistive @ 240VAC  
Control Voltage: 120VAC

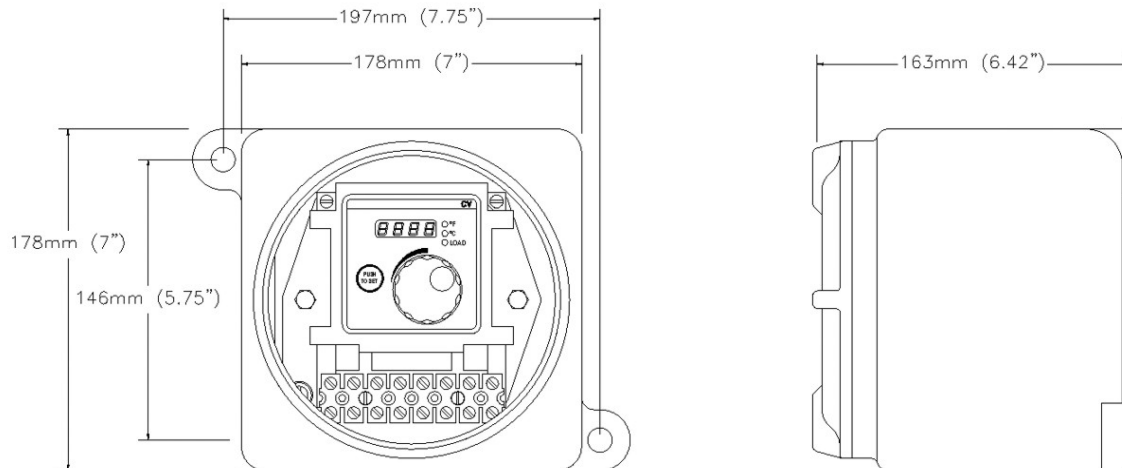
**CALIBRATION ACCURACY**

±1% of span

**SWITCH TYPE**

Single Pole Double Throw

**OUTLINE**

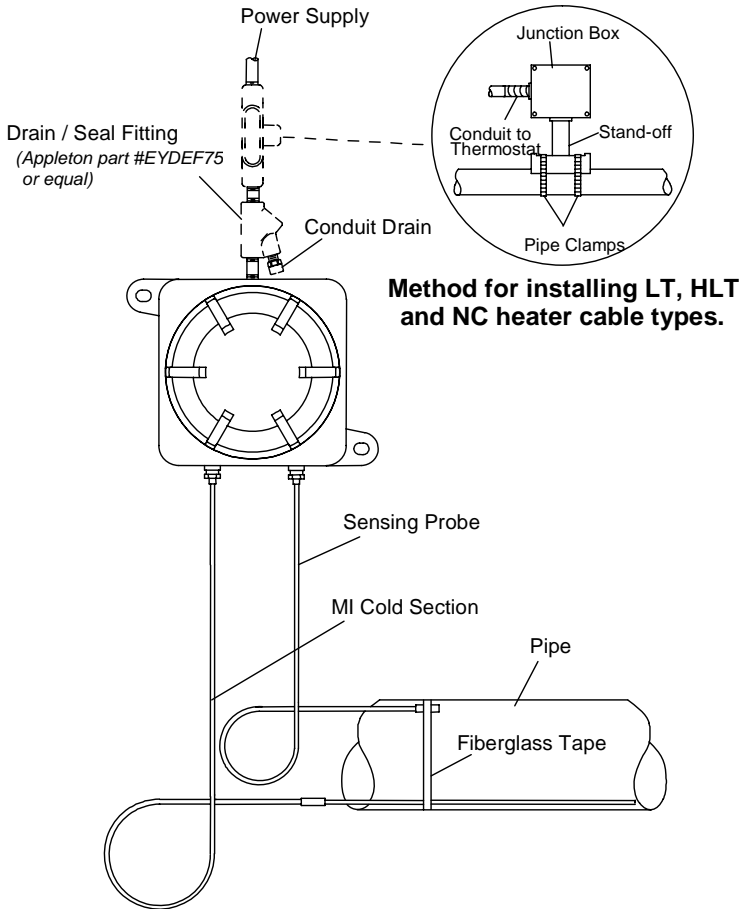


**Approvals:**

- FM - Class I; Div. 1; Groups B, C, D
- Class II; Div. 1; Groups E, F, G
- Class I; Zone 1; AEx d IIB+H<sub>2</sub>

- CSA - Class I; Div. 1; Groups B, C, D
- Class II; Div. 1; Groups E, F, G
- Class I; Zone 1; Ex d IIB+H<sub>2</sub>

**INSTALLATION**



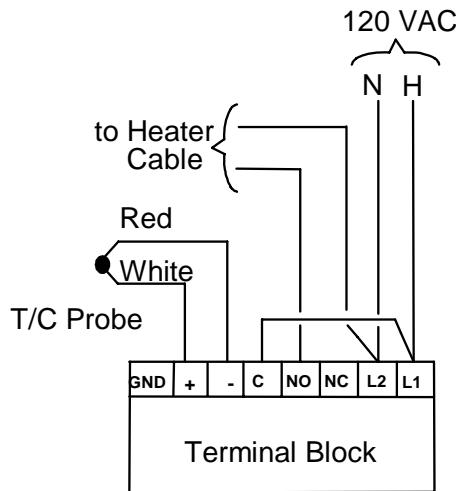
**INSTALLATION NOTES:**

- Securely mount thermostat enclosure and connect to power wiring.
- Verify thermostat set point is at the desired maintenance temperature.
- Close enclosure cover to prevent damage from inclement weather.
- Insure all fittings associated with the power wiring are installed per applicable codes.
- When conduit type systems are used, low point drains / conduit drains are highly recommended.

**ANNUAL MAINTENANCE:**

Spray a coat of lubricant and rust preventative such as CRC Stor & Lube on the electrical wire connections.

**WIRING DIAGRAM**



Nelson Heat Tracing Systems products are supplied with a limited warranty. Complete Terms and Conditions may be found on Nelson's website at [www.nelsonheaters.com](http://www.nelsonheaters.com).