

# NELSON™ HEAT TRACING SYSTEMS

## TA7140 THERMOSTAT

### SPECIFICATION / APPLICATION

### INSTALLATION

#### DESCRIPTION



These thermostats are for ambient temperature control in hazardous locations.

#### ENCLOSURE

Cast Aluminum

#### CLASSIFICATIONS

NEMA Type 4, 7, 9 IP66

#### TEMPERATURE RANGE

Range  
-9 to 60°C (15 to 140°F)

#### CAPILLARY

<b>Length</b>	<b>Material</b>	<b>Max. Bulb Temperature</b>
N/A	Stainless Steel	71°C (160°F)

#### ELECTRICAL DATA

<b>CSA Rating</b>	<b>UL Rating</b>
22 amp Resistance 480VAC	22 amp Resistance 480VAC

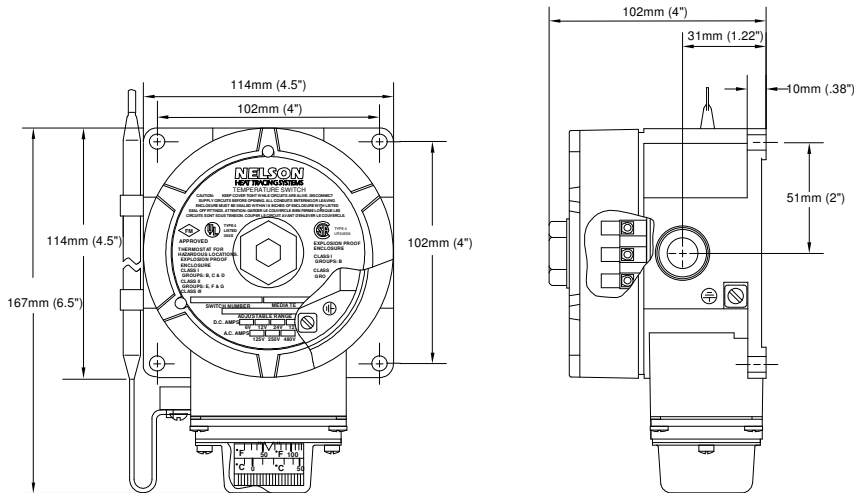
#### CALIBRATION ACCURACY

1.1°C (2°F)

#### SWITCH TYPE

Single Pole Double Throw

#### OUTLINE



#### Annual Maintenance:

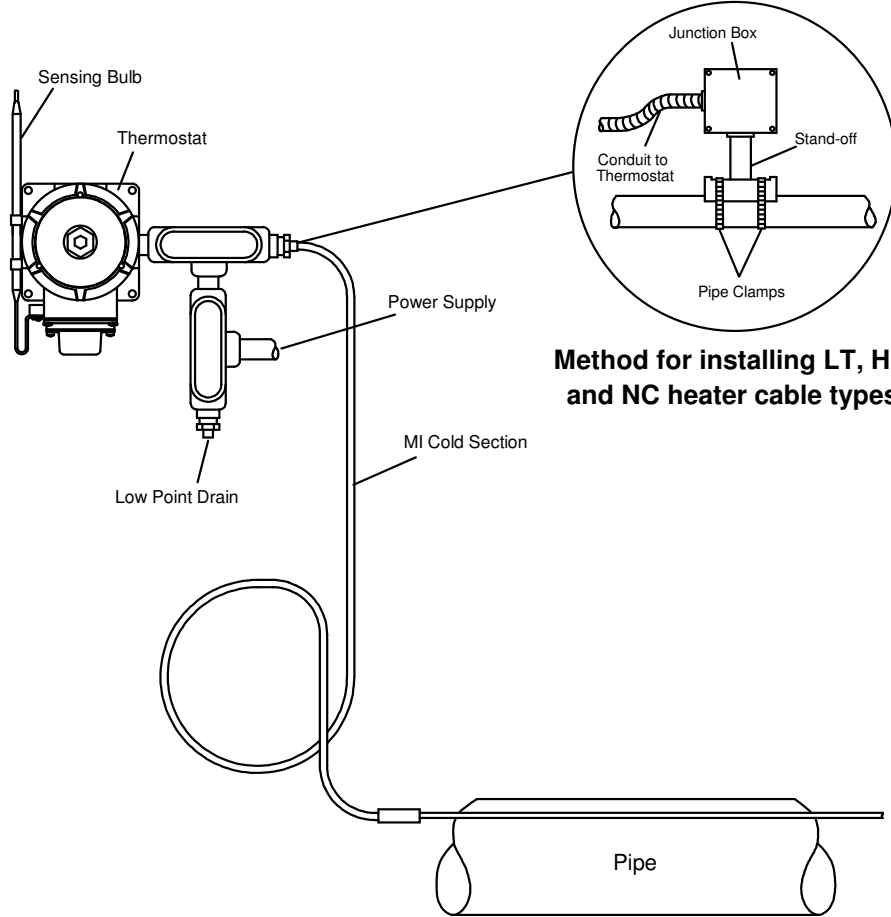
1. Remove knob.
2. Lubricate dial stem and spray a coat of lubricant and rust preventative such as CRC Stor & Lube, electrical grade, on the thermostat body.
3. Replace knob.

#### Approvals:

##### Hazardous Locations

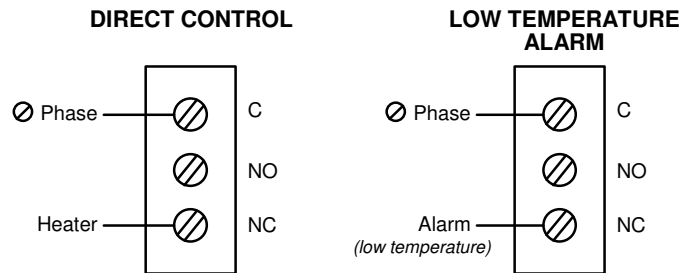
- UL Class I & II, Groups B, C, D, E, F, G- E53121
- FM Class I & II, Groups B, C, D, E, F, G - 1ZIA0.AE
- Class I, Zone 1, AEx d IIB+H<sub>2</sub>
- CSA Class I & II, Groups B, C, D, E, F, G - LR701950
- Class III
- Class I, Zone 1, Ex d IIB+ H<sub>2</sub>
- LCIE - II 2 G EEx d IIC T6- 2 ATEX 6026

### INSTALLATION



**Method for installing LT, HLT and NC heater cable types.**

### WIRING DIAGRAM



Nelson Heat Tracing Systems products are supplied with a limited warranty. Complete Terms and Conditions may be found on Nelson's website at [www.nelsonheaters.com](http://www.nelsonheaters.com).