

NELSON™ HEAT TRACING SYSTEMS SPECIFICATION / APPLICATION

TA4X140 THERMOSTAT INSTALLATION

DESCRIPTION



ENCLOSURE

Die Cast Aluminum

CLASSIFICATIONS

NEMA Type 4X IP66

TEMPERATURE RANGE

Range
-9 to 60°C (15 to 140°F)

CAPILLARY

Length	Material	Max. Bulb Temperature
N/A	Stainless Steel	71°C (160°F)

ELECTRICAL DATA

CSA Rating	UL Rating
22 amp resistance 480 VAC	22 amp resistance 480 VAC

CALIBRATION ACCURACY

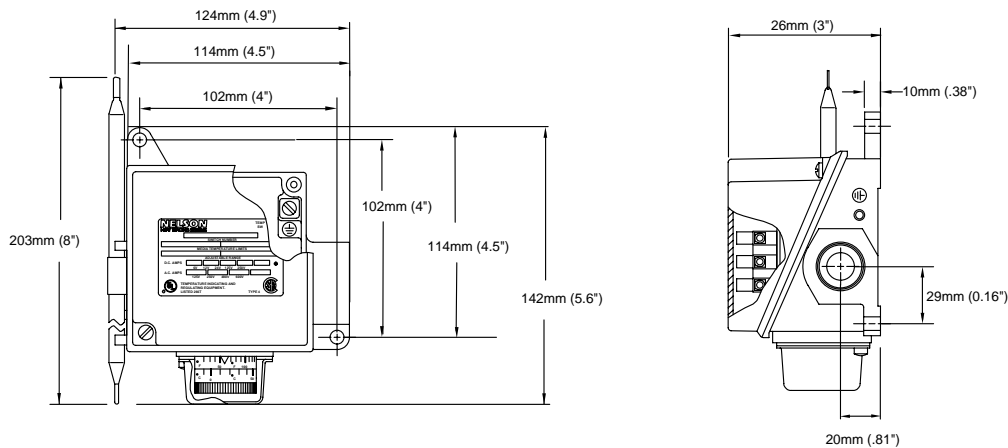
1.1°C (2°F)

SWITCH TYPE

Single Pole Double Throw

These thermostats are used for ambient temperature control in ordinary or corrosive locations.

OUTLINE



Annual Maintenance:

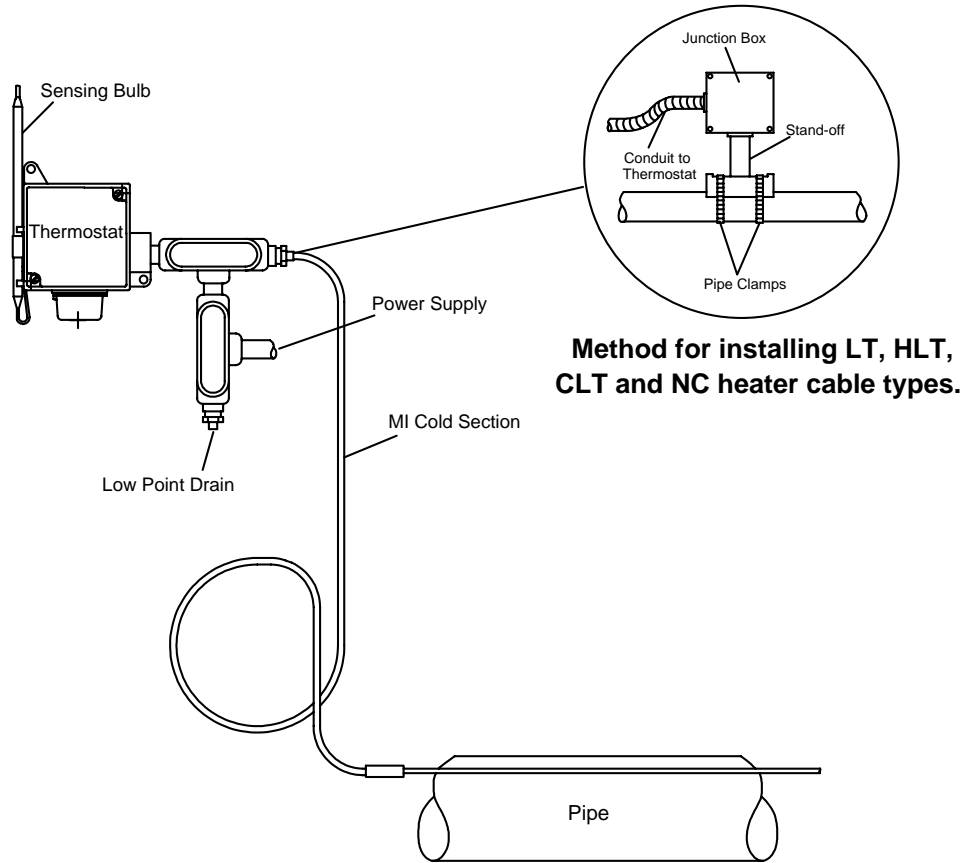
1. Remove Cover.
2. Lubricate dial stem and spray a coat of lubricant and rust preventative such as CRC Stor & Lube, electrical grade, on the thermostat body.
3. Replace Cover.

Approvals:

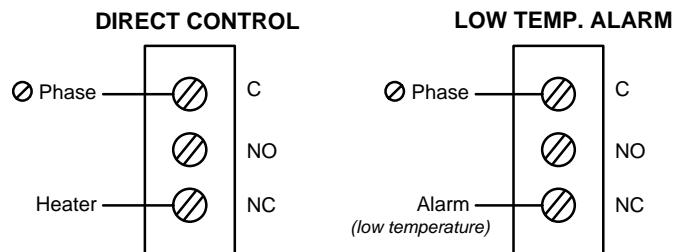
General Locations

UL - E89748 CSA - LR701949 CE

INSTALLATION



WIRING DIAGRAM



Nelson Heat Tracing Systems products are supplied with a limited warranty. Complete Terms and Conditions may be found on Nelson's website at www.nelsonheaters.com.