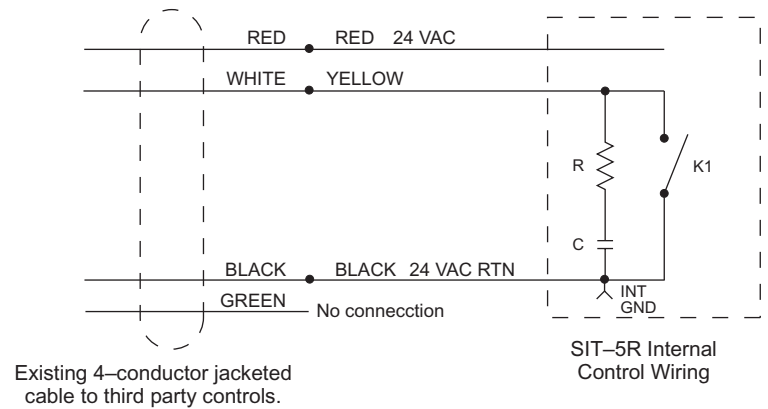
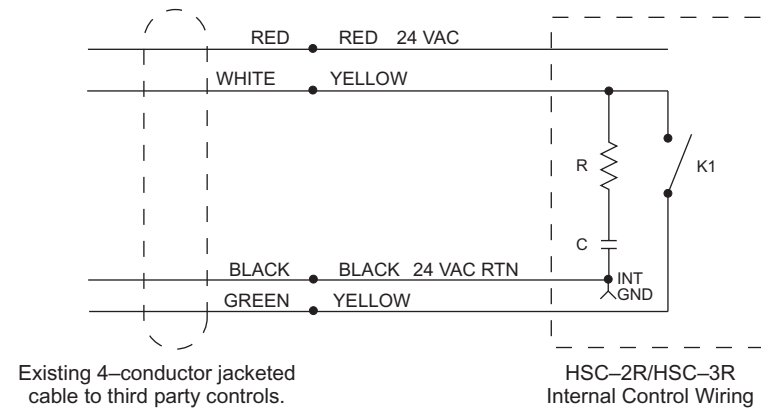
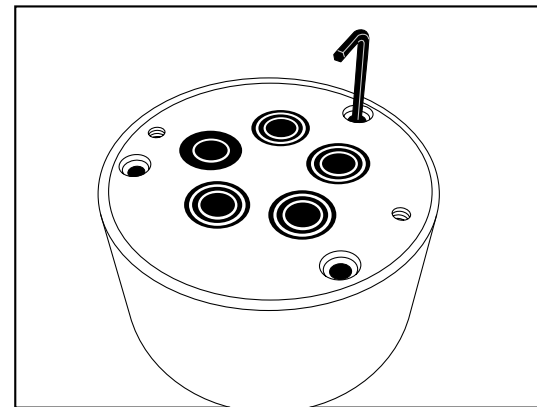


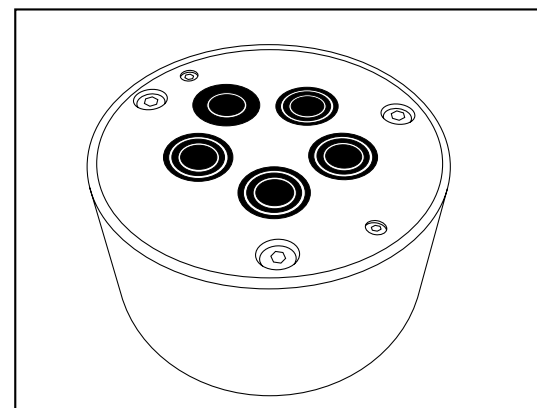
**SIT-5R Repair Kit
Part Number 21632
HSC-2R Repair Kit
Part Number 21849
HSC-3R Repair Kit
Part Number 21783**



8. Install gasket and electronic assembly into housing assembly, making sure to align holes.



9. Tighten the three (3) #10-32 screws, cover plate must be level with housing to assure seal.



Unpacking

Inspect the shipping container and packing material for damage. Save the shipping container and related materials until normal operation has been established. If the unit must be returned, take care to ensure that it is packed as it was received.

Materials Required

Materials required for installation that are not included in replacement kit:

- One (1) 8", or longer, flat blade screwdriver, with a large shank, or a heavy duty screwdriver
- Isopropyl Alcohol (70% or greater)
- Paper Towels

Packing List



- One (1) ETI P/N 21634 Accessory Kit including:
 - One (1) ETI P/N 12550 1/8" Hex Allen Wrench.
 - Two (2) ETI P/N 13008 1/4-20 Threaded Bolt, 1" long.
 - One (1) ETI P/N 16909 Desiccant Packet (5 grams).
 - One (1) ETI P/N 18217 Neoprene Gasket.
 - Four (4) ETI P/N 18719 Grey Wire Nuts.
 - One (1) ETI P/N 20006 Loctite #2 Gasket Sealant.
 - One (1) ETI P/N 20155 Protective Finger Cot.
 - One (1) ETI P/N 20159 Installation Sheet.
 - One* (1*) ETI P/N 21825 SIT-5R Electronics Assembly
 - One* (1*) ETI P/N 21856 HSC-2R Electronics Assembly
 - One* (1*) ETI P/N 21857 HSC-3R Electronics Assembly
- * Only one Electronic assembly is required per repair kit.

DISCLAIMER

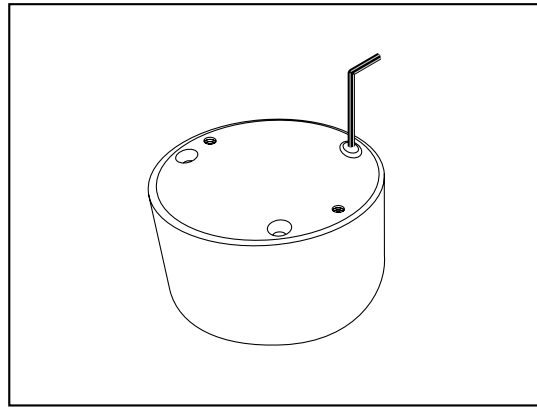
Environmental Technology, Inc. makes no representations or warranties, either expressed or implied, with respect to the contents of this publication or the products that it describes, and specifically disclaims any implied warranties of merchantability or fitness for any particular purpose. Environmental Technology, Inc. reserves the right to revise this publication and to make changes and improvements to the products described in this publication without the obligation of Environmental Technology, Inc. to notify any person or organization of such revisions, changes or improvements.

The ETI logo, We Manage Heat, HSC and SIT are registered trademarks of Environmental Technology, Inc.
© 2004 Environmental Technology, Inc. All Rights Reserved.

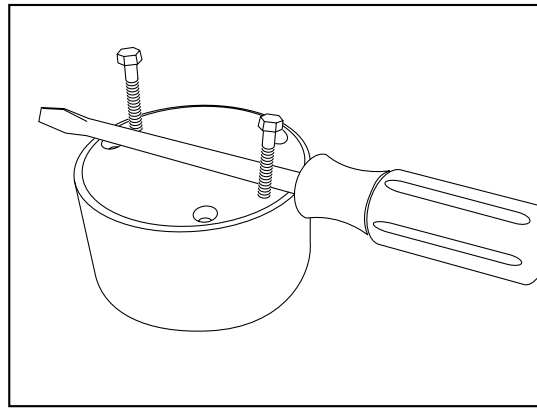


Environmental Technology, Inc.

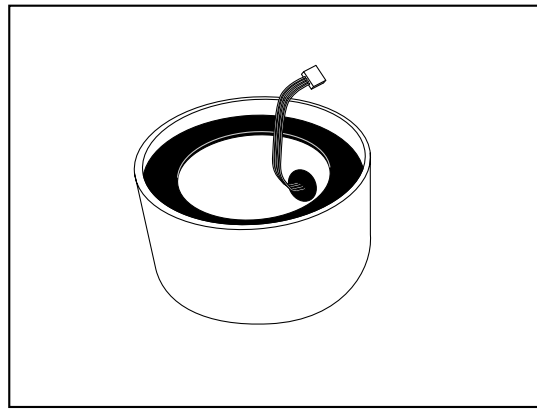
1850 N Sheridan Street • South Bend, IN 46628
(574)233-1202 • Fax (574)233-2152
Toll Free (800)234-4239 • Fax (888)234-4238
www.networketi.com • helpdesk@networketi.com



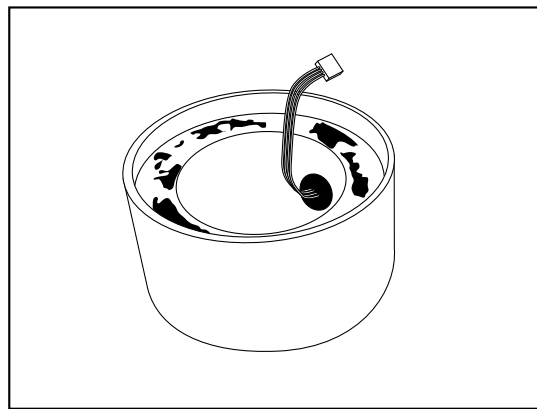
1. Remove the three (3) screws, #10-32, and the two (2) set screws, 1/4-20, from the top of the sensor assembly. Keep all screws. You will need them to install the replacement electronic assembly.



2. Hand tighten the two (2) 1/4-20 bolts into the threaded holes you removed the set screws from. With a long flat blade screwdriver, angled between the two (2) 1/4-20 bolts near the cover, hold onto both ends of the screwdriver and twist slowly to break the seal between the cover and the lower housing. Remove the cover from the housing by lifting up on the bolts in the threaded holes.



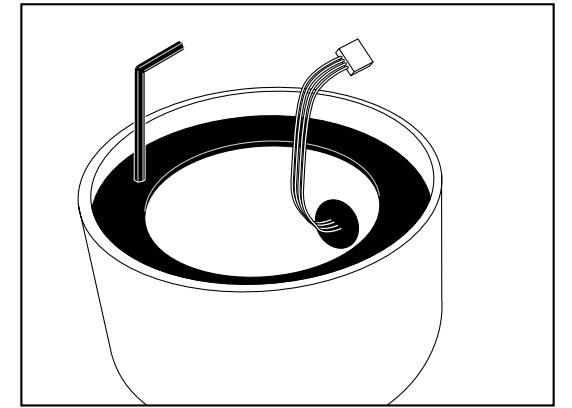
3. Remove the gasket from either the housing or cover plate. **BE CAREFUL NOT TO DAMAGE SEALING SURFACE, DO NOT SCRAPE OR USE HARSH ABRASIVES.**



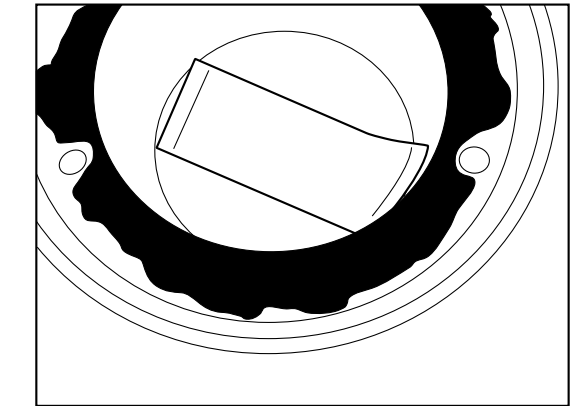
4. Using isopropyl alcohol (minimum 70% isopropyl) and paper towels remove the sealant from the housing. After the sealant is removed, clean any debris from inside of the housing. If the sealant has been applied for a long period of time, it may require covering the sealant with a paper towel soaked with isopropyl alcohol to soften the sealant material. **BE CAREFUL NOT TO DAMAGE SEALING SURFACE, DO NOT SCRAPE OR USE HARSH ABRASIVES.**

5. Align gasket into lower housing assembly, making sure to align holes before placing sealant into housing. Do the same alignment with the electronic assembly. This will save you time in assembling gasket and electronic assembly after sealant has been applied.

THE HOLES ARE NOT DESIGNED TO BE EQUAL DISTANCE FROM EACH OTHER.



6. Remove the cap from the sealant and puncture the tube nozzle. (Sealant material: Loctite #2 Gasket Sealant.) Using protective finger cot, apply a 1/32" thick film to the surface of the housing assembly, where the three (3) #10-32 threaded holes are located. **DO NOT ALLOW SEALANT TO GET IN TO THE THREADED HOLES.** Do apply sealant between threaded holes and the inside cavity of the housing. Place desiccant package in bottom of housing.



7. Place gasket on top of sealant in lower housing. Using protective finger cot, apply a 1/32" thick film of sealant (sealant material: Loctite #2 Gasket Sealant) to the flange of the electronics assembly, where the three (3) #10-32 clearance holes are located. **DO NOT ALLOW SEALANT TO GET IN TO THE CLEARANCE HOLES.**

Remove the connector from end of installed cable. Strip and install using provided grey wire nuts using the wiring diagram provided as appropriate for the installation.

